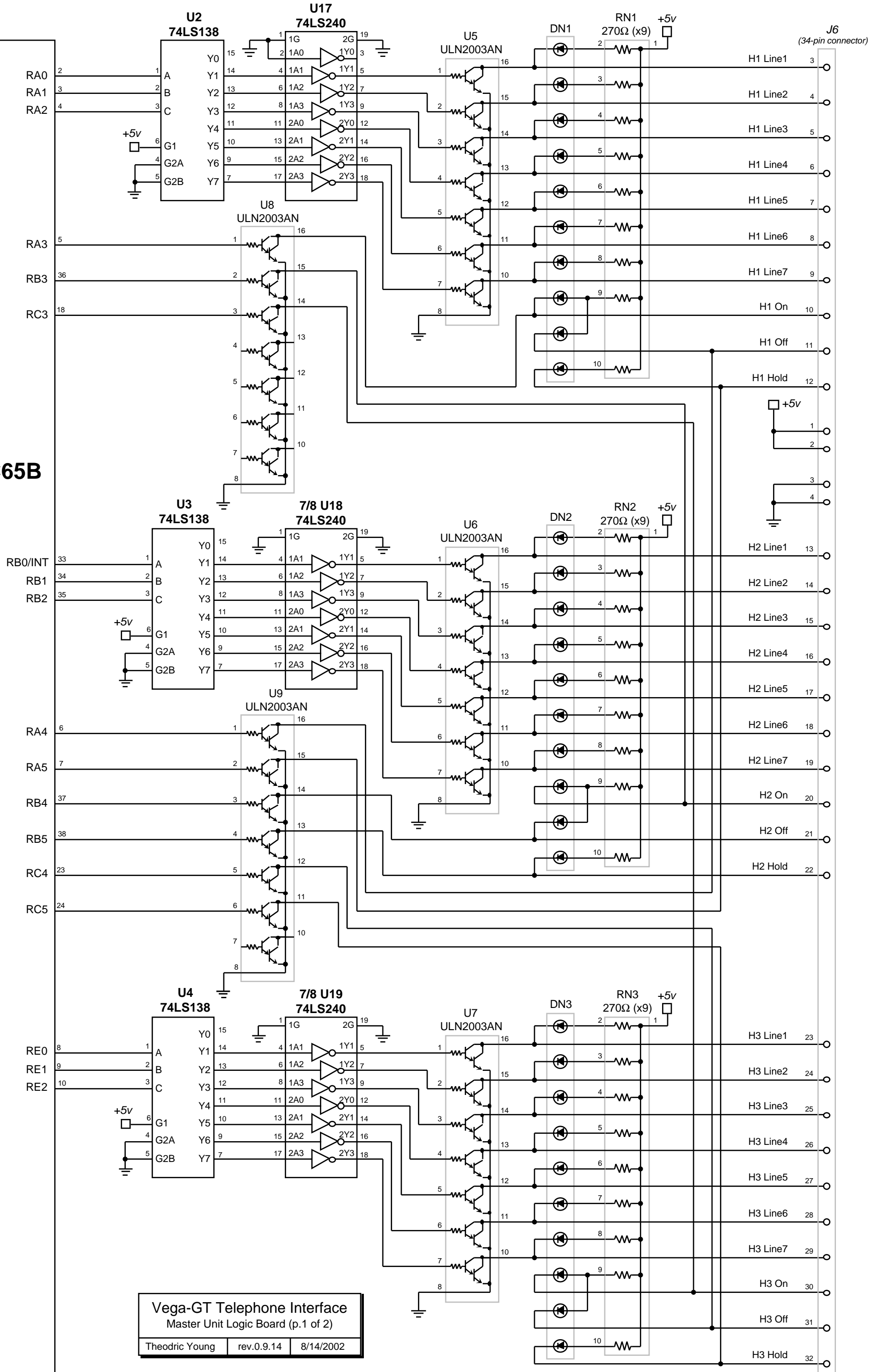
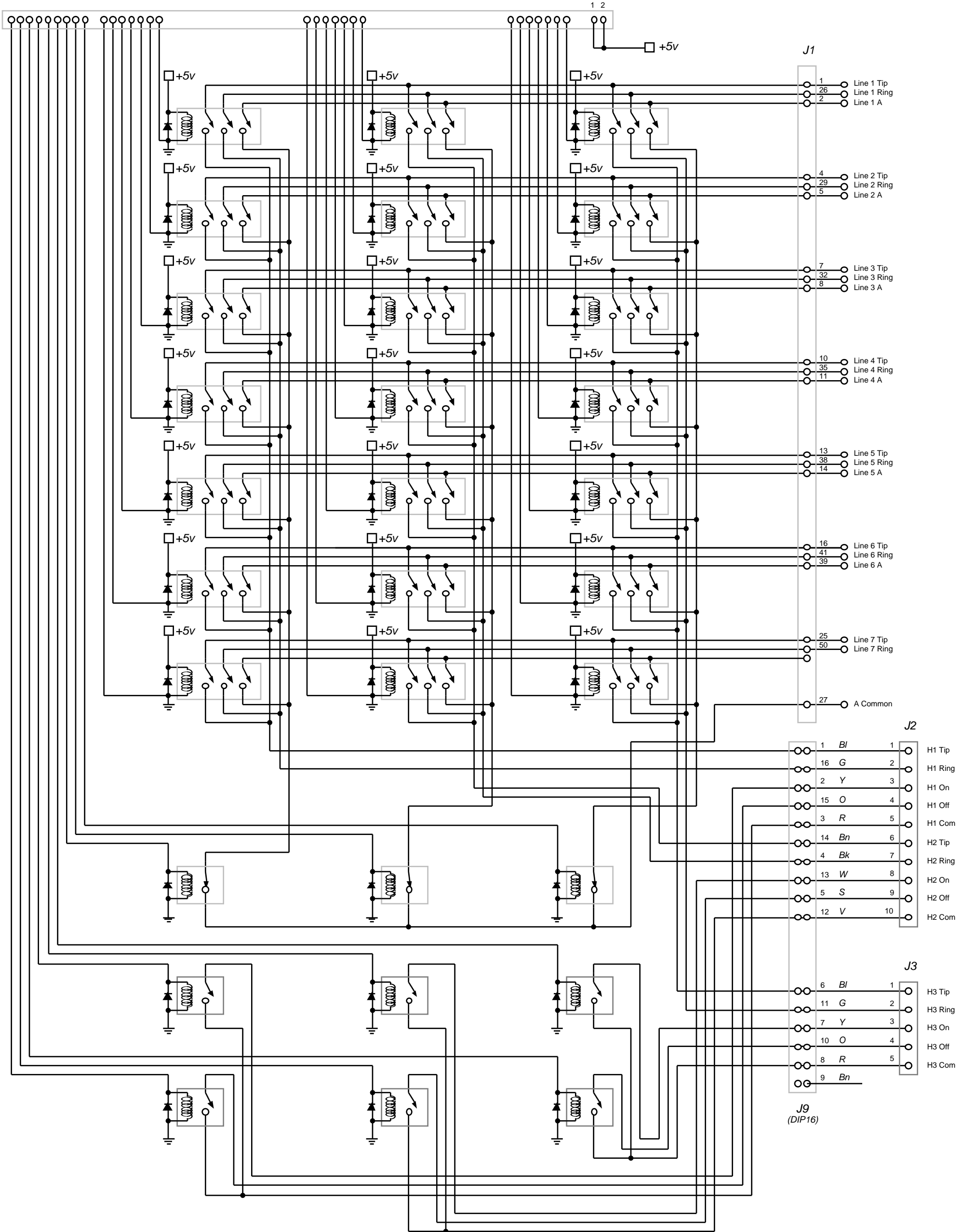


# U1 PIC16C65B



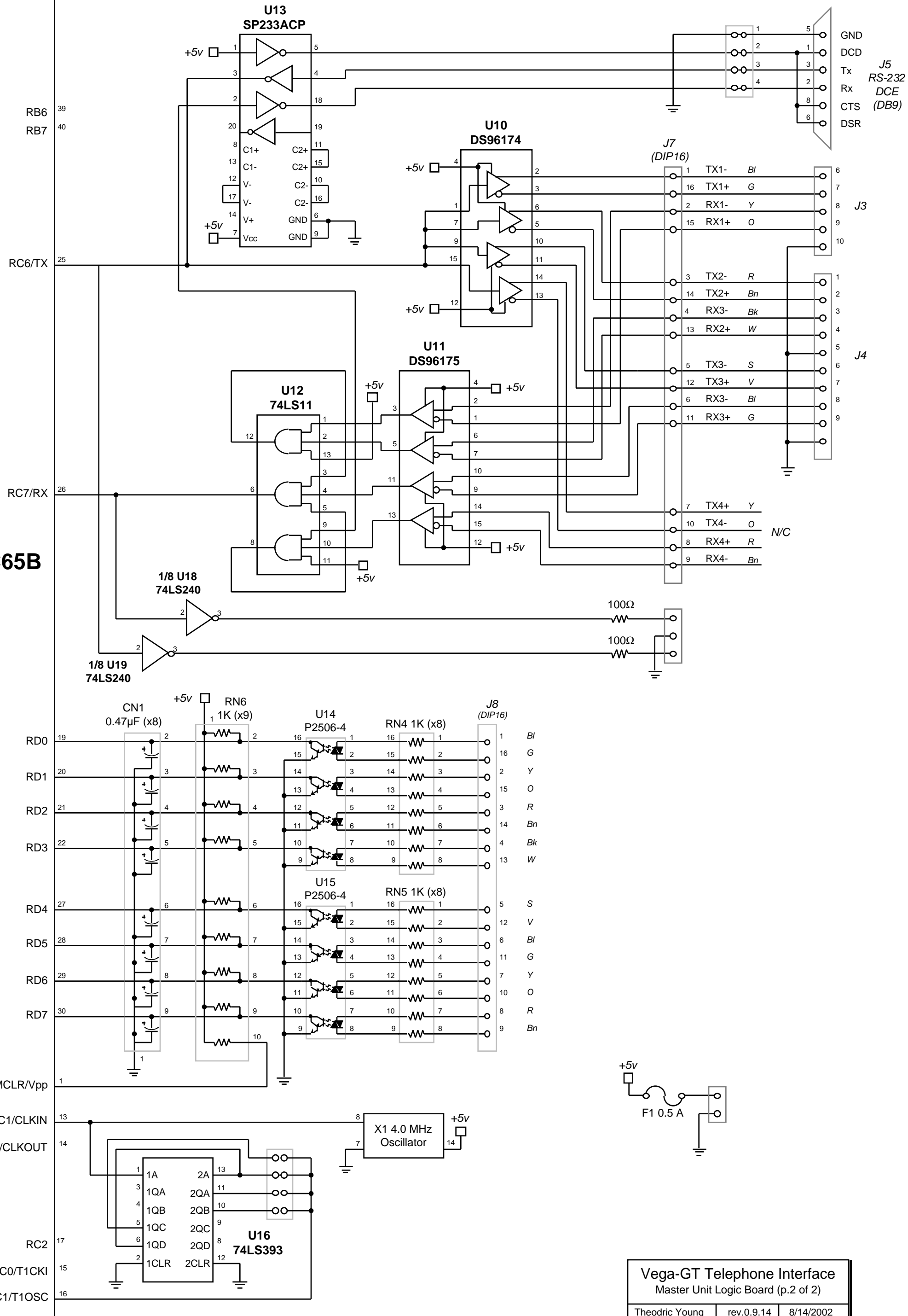
J11  
(34-pin connector)



Vega-GT Telephone Interface  
Master Unit Relay Board

Theodric Young | rev.0.9.14 | 8/14/2002

# U1 PIC16C65B



# Vega-GT Telephone Interface Chassis Interconnections

Theodric Young    rev.0.9.14    8/14/2002

